

# PRODUCT PAGE

For technical and availability information,  
please contact Onmar.

+46 (0) 16 42 86 80

info@onmar.se

www.onmar.se



## CAST HINGE

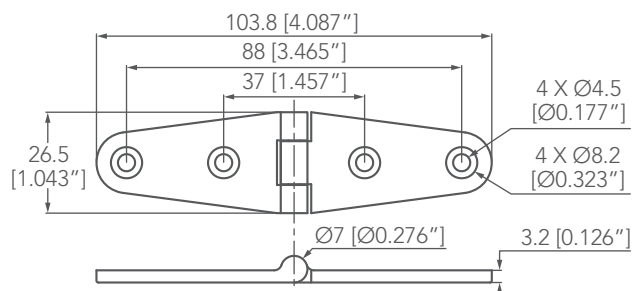
Stainless Steel 316

- Low profile design.
- Barrel is welded closed on both ends.
- Tight tolerance construction.
- Durability and beauty combined.



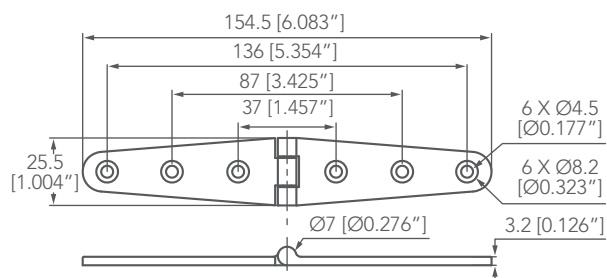
### EH-4A-3V10-24

TYPE	SIZE
Barrel Up	26.5mm X 103.8mm 1-1/16" X 4-1/16" Screw : #8 or M4.



### EH-4A-3V15-24

TYPE	SIZE
Barrel Up	25.5mm X 154.5mm 1" X 6-1/16" Screw : #8 or M4.



# PRODUCT PAGE

For technical and availability information,  
please contact Onmar.

+46 (0) 16 42 86 80

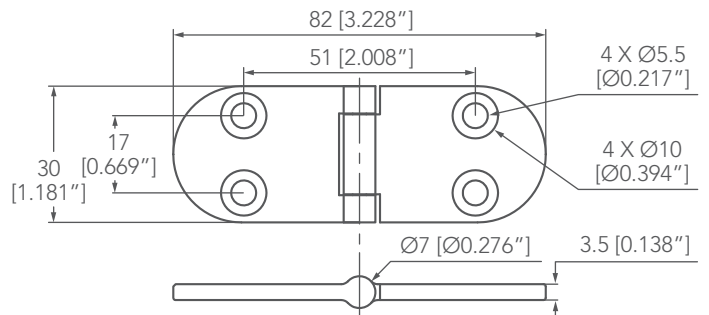
info@onmar.se

www.onmar.se



## EH-4A-3V8-24

TYPE	SIZE
Center Barrel	30mm X 82mm 1-3/16" X 3-1/4" Screw : #10 or M5.



## EH-4A-5V5-24

TYPE	SIZE
Barrel Up	49.5mm X 52.5mm 1-15/16" X 2-1/16" Screw : #8 or M4.

